

IID 2018

May 16-19, 2018

Rosen Shingle Creek Hotel_Gatlin Ballroom: ABC

Orlando, FL



Show Information	
Show Name	IID 2018
Show Dates	05/16-19/18
Move-In	05/15/18
Job #	F167610518
AE	Fred Barkley

375 = D/S Poster Boards

Inventory as of 11/01/2017

Dimension	Size	Qty	SqFt
10'x10'	100	32	3,200
Totals:		32	3,200

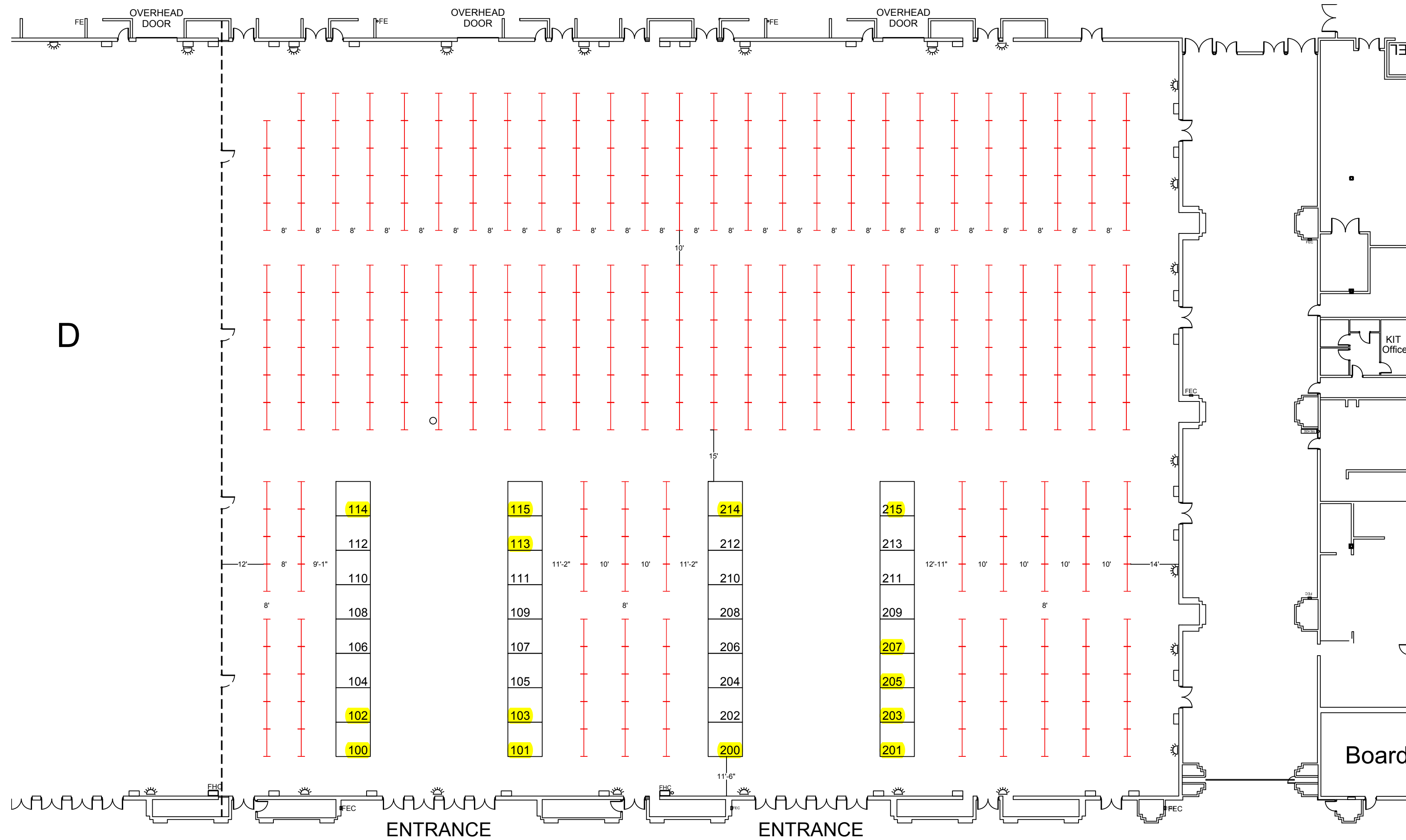
Floor Plan Legend	
FE	Fire Extinguisher
FS	Fire Strobe
FHC	Fire Hose Cabinet

Venue Info	
Building Name	Rosen Shingle Creek Hotel
Hall	Gatlin Ballroom: ABC
Floor	Floor
Address	9939 Universal Blvd Orlando FL 32819

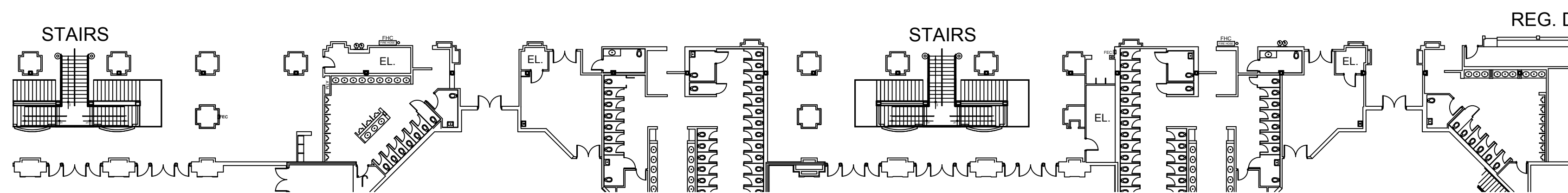
Drawing Information	
File Path	J:_SES Floorplans\01_SES_SHOW FLOORPLANS\2018\05_May
File Name	05_SID Annual Meeting_F167610518.dwg
Drawn By	JIP
Last Saved	11/8/2017 10:49 AM
Saved By	Jperez
Tab	Floorplan
Paper Size	ARCH full bleed C (24.00 x 18.00 Inches)
Scale	? = 1'-0"

Fire Marshal Info		
Exhibit Type	Trade Show	
Booth	Size	See Inventory
	Materials	Pipe & Drape
Contact	Name	Kim Collins
	Number	404-720-8687
Occupancy	Occupancy Load	?
	Total Sq.Ft. of Show	?

1531 Carroll Drive NW
Atlanta, GA 30318
(v) 404-720-8600 - (f) 404-720-8750
11/9/2017 3:24 PM JESSICA PEREZ



Booths in yellow are reserved



Shepard Exposition Services has made every effort to ensure the accuracy of all information contained on this floor plan. However, no warranties, either expressed or implied, are made with respect to this floor plan. If the location of building columns, utilities or other architectural components of the facility is a sole responsibility of the exhibitor/show management to physically inspect the facility to verify all dimensions and locations.

SUBJECT TO FIRE MARSHAL APPROVAL